



## Product information

### LinkUp Mobile partition wall

**System** consisting of a mobile partition wall. Several partition walls can optionally be linked together using magnetic connecting fittings.

**Several partitions** can be pushed into each other to save space.

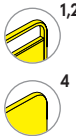
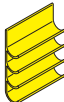





**Frame** construction with a steel tube running all the way round on a crossbar, a filling element or an all-round fabric covering.

**Filling element** made of **1.** a magnetic and writable, enamelled chipboard, **2.** a cork-coated, pinable chipboard or **3.** a cork- and textile-coated, pinable chipboard.

**All-round fabric covering** as **4.** privacy screen and optionally with an acoustically effective filling.

**Support elements** consisting of 2 short runners, each with 2 castors.

**The following material groups are available:** Frame made of metal: M(arctic, black RAL 9011); Writing surface made of steel: E(white); Pinboard made of cork: K(natural cork); Pinboard made of fabric: S72; Fabric cover: S46,51,52,74,78,79,80.

									
LinkUp	h Total = 153 cm	<b>05593</b>	<b>05594</b>						
	h Total = 173 cm	<b>05591</b>	<b>05592</b>						
	w cm	82	102	<b>07844</b>	<b>06962</b>	<b>06963</b>	<b>06966</b>	<b>07947</b>	<b>07896</b>
	d cm	32							
				Pen holder	Wiper	Felt cleaning cloth 10 units	Board marker 4 units	Magnet 1 unit	Pin 100 units
	w×h×d cm			15×14×2,5					