



PRODUCT INFORMATION PSwing-VF-SchuL_TY_US - 07.08.2023 - www.vsamerica.com

PantoSwing-VF Forward-flexing cantilever student chair.

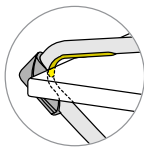
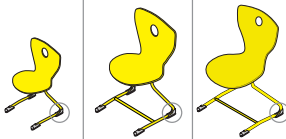
Frame made from bent, powder-coated or chrome-plated round steel tubing. For sizes 4-7 with extra sturdy cross-strut between the skids.

Chair in 6 fixed heights.

Seat shell made from plywood (VF) with anti-slip paint and hidden frame attachment. Comfort model for sizes 5 and 6 offer a larger seat shell for added comfort (Size 5 - L) (Size 6 - XL).

Equipment and options. Glides for hard or soft floors or 2-component universal glides. Optionally available with table edge protection for piggy-back chair mounting.

The following material groups are available: Frame made of steel tube: M1,(chrome-plated); Seat and backrest: H1.

		Seating heights (± 0.4 in) for students' chairs <ul style="list-style-type: none"> ● 2 = 12.25 in ● 3 = 13.8 in ● 4 = 15 in ● 5 = 16.95 in ● 6 = 18.15 in ● 7 = 20.1 in 		Optionally with table-edge protection for piggy-back chair mounting.			
PantoSwing-VF						31420	
	Comfort						31421
	Fixed height				2 3	4 5 6 7	
	Fixed height in						16.95*18.15
	Seat shell				S S	M M L XL	L XL