



## Product information

### Serie 2000

#### Typ P. Folding screen (2/3 parts).

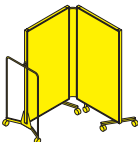
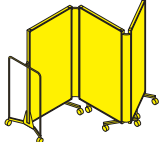
**System** consists of 2 or 3 flexibly-jointed, mobile, free-standing screen.

**Construction** is based on a four-sided frame of aluminium profile and a filling element. Add-on elements are connected by a flexible joint and can be easily folded together.

**Filling elements:** **1.** Melamine-resin laminated chipboard. **2. chipboard** laminated with a vitreous-enamelled metal sheet to which magnets adhere (at level 155 cm). **3.** From a lightweight top with fabric covering. **4.** A melamine-resin laminated sound-absorbing panel with slits. **5.** A translucent double-ribbed board.

**Supporting element** consists of short struts each with 2 castors and a supporting castor. For safety reasons paravent screens in kindergartens and schools must be fitted with a push-handle.

**The following material groups are available:** Frame made of aluminum: M(anodisé); Stabiliser and foot made of aluminum: M(arctic, black RAL 9011); Writing surface made of steel: E(white); Fabric cover: S46,52,74,78,79,80; Acoustic front made of chipboard: L10; Front made of chipboard: L6.

										
Serie 2000 Typ P	h 112,5 (with castors 124)		05530	05531	05532	05533	05545	05546	05547	05548
	h 150,0 (with castors 161)		05535	05536	05537	05538	05550	05551	05552	05553
	w Element		80	90	100	120	80	90	100	120
	w sliding handle + connector		179	199	219	259	269	299	329	389
	No. of elements		2				3			