



PRODUCT INFORMATION S901-UBau-VS-KL_TY_US - 24.05.2023 - www.vsamerica.com

Series 901 Supporting sideboards (small).

Construction of an glued body out of melamine-resin-coated chipboard. Sideboards for fixed table heights or continuously adjustable in height by means of a winding handle.

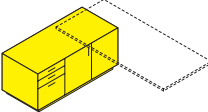
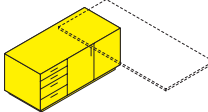

Front and body of melamine-resin laminated or veneered chipboard and metal bow handles.

Drawers with central locking. Drawers with either single or over-extension, 6.5 HU (height units) drawers always with over-extension.

Technical compartment (1-part) with folding/sliding door at the front. When heat-producing equipment is used, the sideboard must be fitted with a perforated-metal back for ventilation purposes. The two table posts integrated in the body minimise the storage space of the technical compartment.

Electrification (optional) at the rear with fold-down perforated-metal back (see above). Cable outlet through holes with metal inserts.

The following material groups are available: Body made of chipboard: L6; Front made of chipboard: L3; Front veneered: F1.

							
Sideboard (small)			21664	21665	21666	21666	21691
w-h-d			52¾-22½-23½				
HE			1,5+2+6,5/10		1,5+2+3+3,5/10		
Position on the table			left	right	left	right	
Table height			28% (26¾-34%)				
Office accessories			Set 1		Set 11		