

http://links.vs-service.com/downloads/70-161_V05_DEEN_Serie_600_Medien.pdf

Instructions for use

Serie 600

Intended use: Use is permitted only in enclosed spaces with suitable level floors without contamination. The total weight of 220 kg must not be exceeded. For improper use and damage resulting from the Company shall not be liable VS Vereinigte Spezialmöbel-fabriken GmbH & Co. KG.

General note on reading and storing the instructions: Please read these instructions and in particular the notes on safety carefully and in full before using the products. Keep the instructions in a safe place for subsequent reference and pass them on to other users.

General note on safety: We use the following symbols and notes in our assembly instructions:



Caution!

This symbol refers to an important note on assembly.

On the internet: Alternatively, they can be downloaded: (see header title).

Scope of delivery: The product is delivered fully assembled.

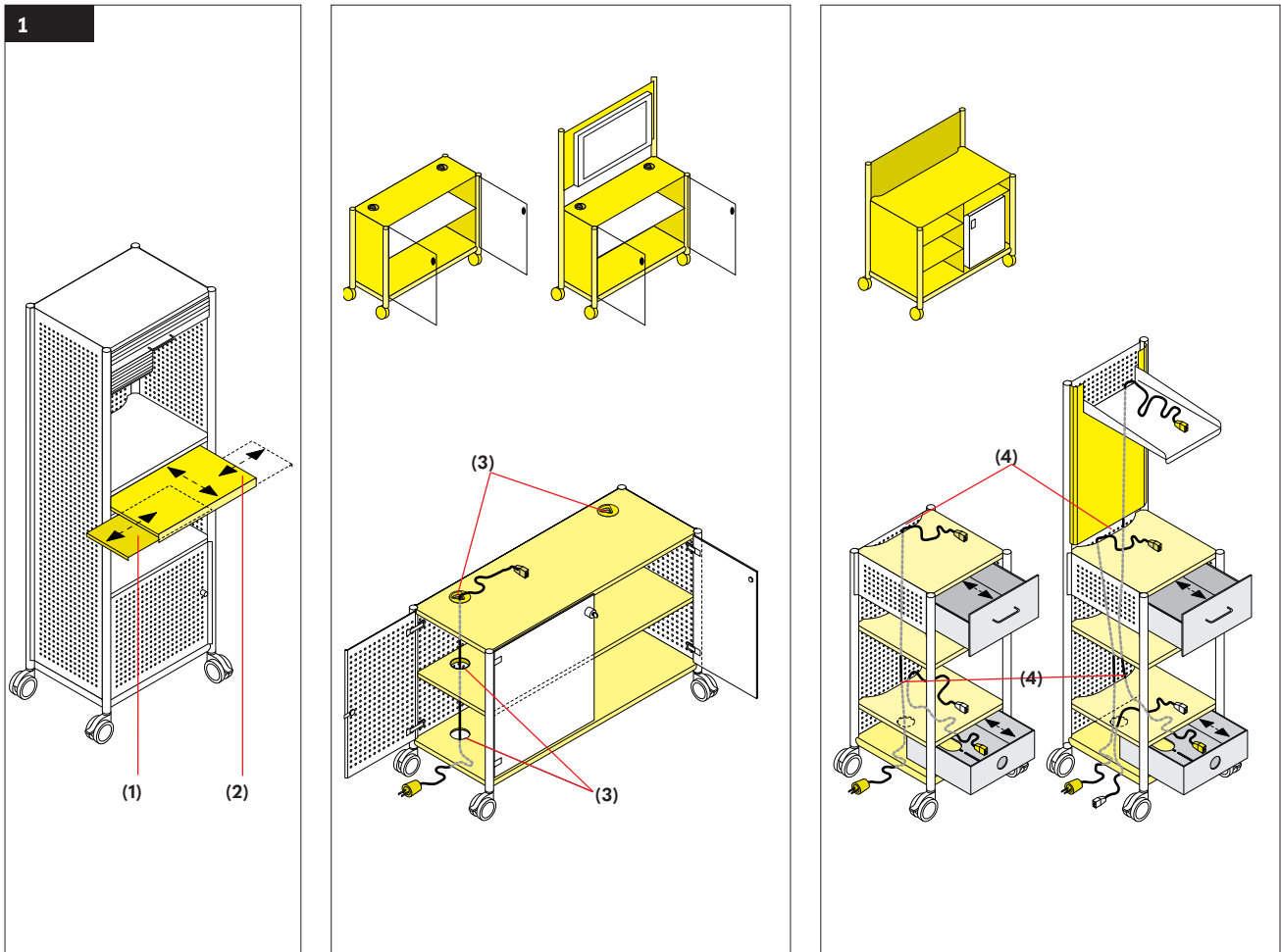
Operation: Follow the instructions on the following page.

Troubleshooting and service: If faults occur, please contact our Aftersales Service kundenservice@vs-moebel.de

Maintenance and Cleaning: On the internet: vs.de/kataloge/reinigung/en

Forwarding and Disposal: Also pass on these assembly instructions if the product is forwarded to another party. The indicated electric and electronic components must not be disposed of with the ordinary waste. They must be removed from the furniture unit before the unit is sent for disposal. They are to be disposed of at authorized collection and return points.





Transportation: Before transporting the cabinet, release the castor locking devices and remove all obstacles from the intended transportation route. If a power supply cable is provided, disconnect the cable and secure it to the model. Transport the cabinet wherever possible by sliding it on its narrow side. Apply all force through the vertical round tubes at the corners of the cabinet, ensuring that this force is not applied at a height exceeding 1300 mm above the floor. Slide the cabinet over thresholds and other uneven floor surfaces slowly or lift the cabinet over these areas. Laden cabinets must be moved by two persons. After completing transportation, reengage the castor locking devices. Important: If the mouse pad (1) is pulled out, do not slide the base (2) back into the body [Fig. 1].

Electrification: If electrical devices are placed on or in the model, make sure that the power supply cable is not live and that the castor locking devices are engaged. On some models the cables can be routed through a cable outlet (3) or through a rear opening (4) in the adjustable shelf inserts or fixed bases. Do not roll the castors over the power supply cable during transportation.

Caution! If the mouse pad (1) is removed, do not push the bottom (2) back into the body [Fig. 1].

Caution! The furniture should not be moved when fully loaded!