

http://links.vs-service.com/downloads/70-187_V03_DEEN_S800Garderobe.pdf

Instructions for use

Serie 800 installing or moving the wardrobe rod.

Description: For installation in Serie 800 swing door and shelving cabinets. No liability will be assumed for any use other than that intended. Approved for use in closed, dry rooms. Maximum load: 50 kg.

General note on reading and storing the instructions: Read these Instructions and, in particular, the safety instructions carefully before using the products and adhere to these. Keep these Instructions in a safe place for future consultation and communicate them to other users.

General note on safety: The following symbols and notes are used in our assembly instructions:



Caution! When you see this symbol, you must adhere to the accompanying instruction!

On the Web: You can find these Instructions on the Web:

Standards: Inspected in accordance with DIN EN 14073-3.

Scope of delivery: The product is supplied fully assembled.

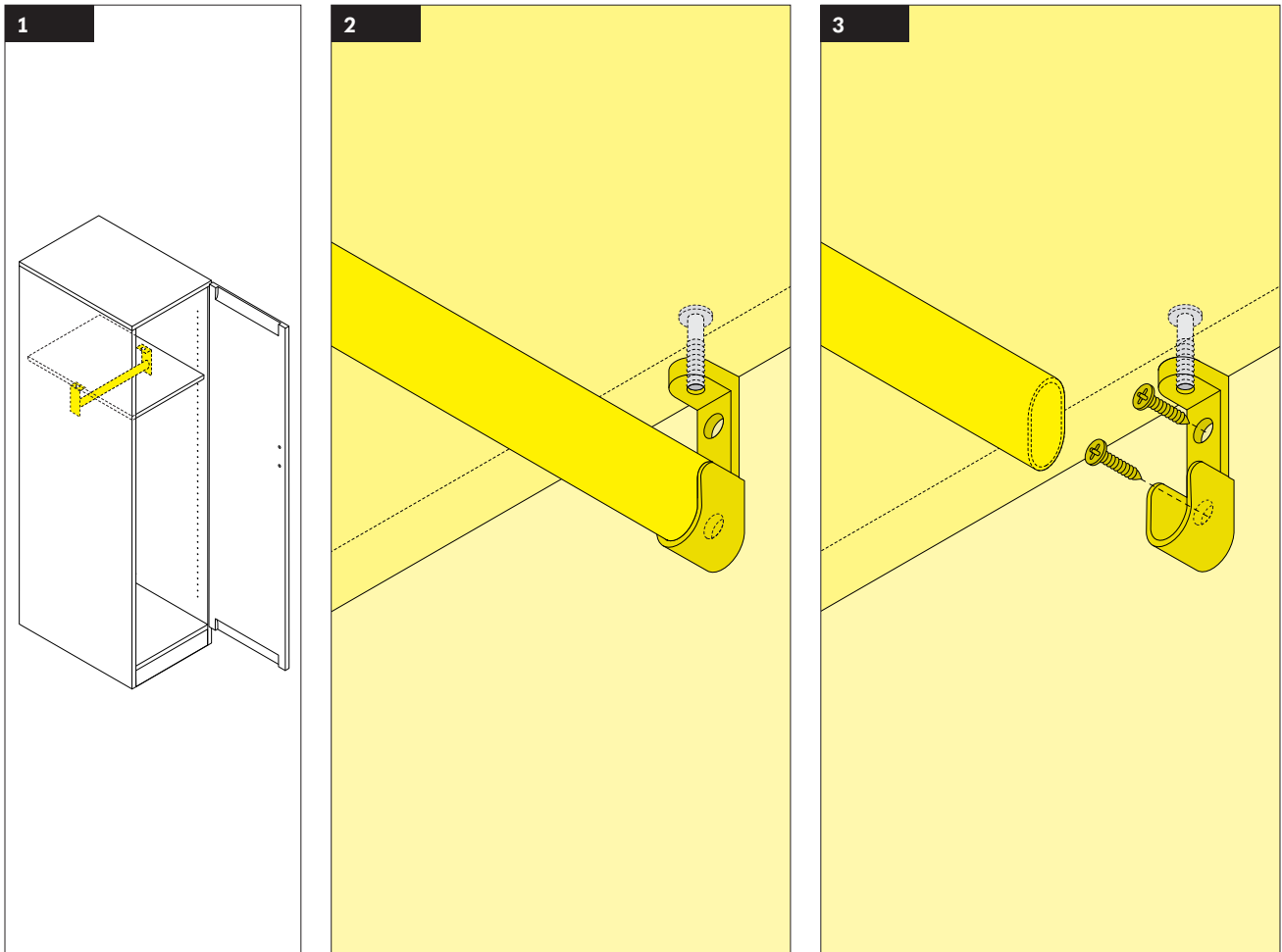
Faults and service: If any faults occur, please contact our Customer: kundenservice@vs-moebel.de

Maintenance and cleaning: On the Internet: vs.de/kataloge/reinigung/en

Product transfer and Disposal: If the product is transferred to a new owner or user then it must be accompanied by these Instructions.

The indicated electric and electronic components must not be disposed of with the ordinary waste. They must be removed from the furniture unit before the unit is sent for disposal. They are to be disposed of at authorized collection and return points.





Installation or modification: Figures (1) and (2) show the status at the time of delivery or shipment.

Figure (3):

- Define required shelf position and change the shelf position if necessary (see MA-S800)
- Remove the coathanger rail
- Use the screws from the accessories pack to screw the retainers to the side of the cabinet (crosshead)
- Insert the coathanger rail again

Caution! If the shelf is moved, this results in visible screw holes in the side of the unit!