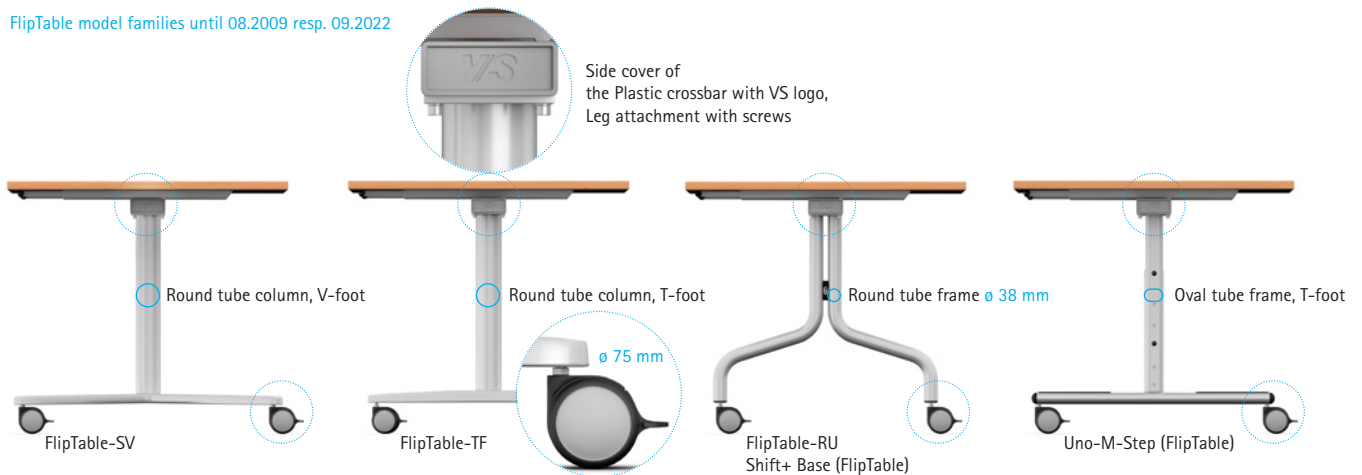
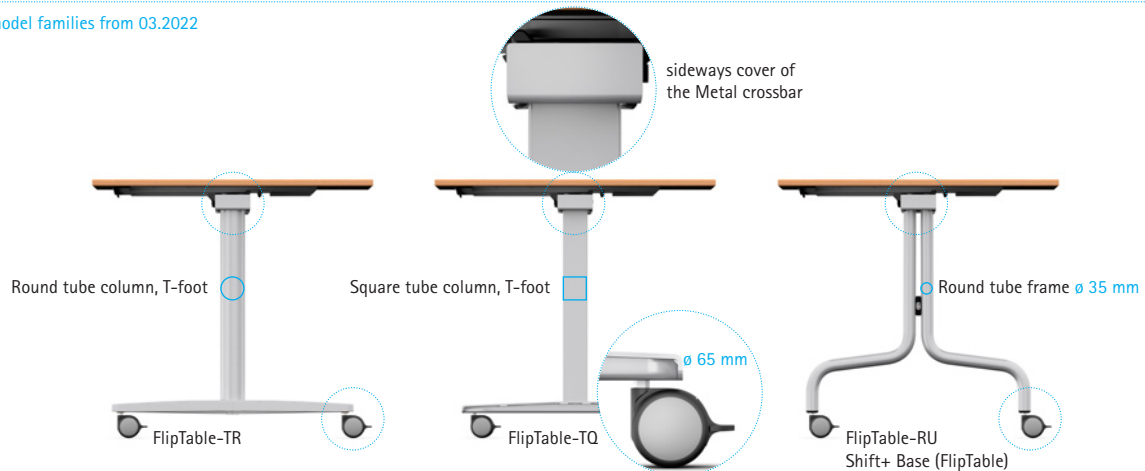


FlipTable model families until 08.2009 resp. 09.2022



FlipTable model families from 03.2022



**ORDER FORM FOR SPARE PARTS** 45-080-67 V02 - 25.01.2024 - www.vs-moebel.de

## FlipTable with folding table top

**FlipTable-SV** (untill 08.2009)  
 with V-foot and round tube column, for model  
[21041](#), [21042](#), [21043](#), [21044](#), [21046](#), [21047](#), [21048](#), [21049](#),  
[21050](#)

**FlipTable-TF** (untill 09.2022)  
 with T-foot and round tube column, for model  
[21060](#), [21061](#), [21062](#), [21063](#), [21064](#), [21065](#), [21066](#), [21067](#),  
[21068](#), [21069](#), [21070](#), [21071](#), [21073](#), [21074](#)

**FlipTable-RU** (until 09.2022)  
 with curved round tube frame D = 38 mm, for model  
[21028](#), [21029](#), [21030](#), [21031](#), [21032](#), [21033](#), [21034](#), [21035](#),  
[21036](#), [21037](#), [21038](#), [21039](#)

**FlipTable-RU** (from 03.2022) in sitting and standing height  
 with curved round tube frame D = 35 mm, for model  
 22102, 22103, 22105, 22106, 22107, 22108, 22109, 22110,  
 22111, 22112, 22113, 22114, 22115, 22116, 22117, 22118,  
 22119

**FlipTable-TR** (from 03.2022) in sitting and standing height  
 with T-foot and round tube column, for model  
 22125, 22126, 22127, 22128, 22129, 22130, 22131, 22132,  
 22133, 22134, 22135, 22136, 22137, 22138, 22139

**FlipTable-TQ** (from 03.2022) in sitting and standing height  
 with T-foot and square tube column, for model  
 22142, 22143, 22145, 22146, 22147, 22148, 22149, 22150,  
 22151, 22152, 22153, 22154, 22155, 22156, 22157, 22158,  
 22159, 22162, 22163, 22165, 22166, 22167, 22168, 22169,  
 22170, 22171, 22172, 22173, 22174, 22175, 22176, 22177,  
 22178, 22179

**Shift+ Base (FlipTable)** (untill 09.2022)  
 with curved round tube frame D = 38 mm, for model [01446](#)

**Shift+ Base (FlipTable)** (untill 03.2022)  
 with curved round tube frame D = 35 mm, for model 01451

**Uno-M-Step (FlipTable)** (untill 09.2022)  
 with T-foot and height-adjustable oval tube column,  
 for model [A2509](#), [A2510](#)

### Note:

You can find out the model of your table by looking at the label on the bottom of the table top (with order/order confirmation number, model number (AB) and week of delivery (LW)).

### Note the following markings:

blue = Model no longer available

### ET0437

#### Castor (ø75 mm) with brake

for FlipTable-SV: 21041, 21042, 21043, 21044, 21046, 21047, 21048, 21049, 21050  
for FlipTable-RU: 21028, 21029, 21030, 21031, 21032, 21033, 21034, 21035, 21036  
21037, 21038, 21039

for FlipTable-TF: 21060, 21061, 21062, 21063, 21064, 21065, 21066, 21067, 21068  
21069, 21070, 21071, 21073, 21074

for Uno-M-Step (FlipTable-HV): A2509, A2510

for Shift+ Base (FlipTable): 01446

Content: 4 units, suitable for one table



### ET0704

#### Plug (D = 38 mm) with internal metal thread M10

for chipboard table top (25 mm)

for FlipTable-RU: 21028, 21029, 21030, 21031, 21032, 21033, 21034, 21035, 21036  
21037, 21038, 21039

for Shift+ Base (FlipTable): 01446

Use in combination with castor ET0437

Content: 10 units



### ET1272

#### Castor (ø 65 mm)

for FlipTable-RU: 22102, 22103, 22105, 22106, 22107, 22108, 22109, 22110, 22111  
22112, 22113, 22114, 22115, 22116, 22117, 22118, 22119

for FlipTable-TR: 22125, 22126, 22127, 22128, 22129, 22130, 22131, 22132, 22133  
22134, 22135, 22136, 22137, 22138, 22139

for FlipTable-TQ: 22142, 22143, 22145, 22146, 22147, 22148, 22149, 22150, 22151  
22152, 22153, 22154, 22155, 22156, 22157, 22158, 22159, 22162  
22163, 22165, 22166, 22167, 22168, 22169, 22170, 22171, 22172  
22173, 22174, 22175, 22176, 22177, 22178, 22179

for Shift+ Base (FlipTable): 01451

Content: 2 castors with brakes and 2 castors without brakes



### ET0352

#### Castor (ø 65 mm) with plug (D = 35 mm)

for chipboard table top (19 mm und 25 mm)

für FlipTable-RU: 22102, 22103, 22105, 22106, 22107, 22108, 22109, 22110, 22111  
22112, 22113, 22114, 22115, 22116, 22117, 22118, 22119

für Shift+ Base (FlipTable): 01451

Content: 2 castors with brakes and 2 castors without brakes, with fixing material



### ET1273

#### Castor (ø 65 mm) with plug (D = 35 mm)

for solid HPL top (13 mm)

for FlipTable-RU: 22102, 22103, 22105, 22106, 22107, 22108, 22109, 22110, 22111  
22112, 22113, 22114, 22115, 22116, 22117, 22118, 22119

für Shift+ Base (FlipTable): 01451

Content: 2 castors with brakes and 2 castors without brakes, with fixing material



### ET0705

#### Plug (D = 35 mm) with internal metal thread M10

for chipboard table top (19 mm und 25 mm)

for FlipTable-RU: 22102, 22103, 22105, 22106, 22107, 22108, 22109, 22110, 22111  
22112, 22113, 22114, 22115, 22116, 22117, 22118, 22119

für Shift+ Base (FlipTable): 01451

Content: 10 units



**ET0701**  
**Plug (D = 35 mm) with internal metal thread M10**

for solid HPL top (13 mm)

for FlipTable-RU: 22102, 22103, 22105, 22106, 22107, 22108, 22109, 22110, 22111  
22112, 22113, 22114, 22115, 22116, 22117, 22118, 22119

for Shift+ Base (FlipTable): 01451

Content: 10 units



**ET0622**  
**Table connector**

for chipboard table top (19 mm and 25 mm)

for all FlipTables

Content: 4 units



**ET0187**  
**Plastic stopper with 2 pegs**

for mounting on cross-member as table top support

for all FlipTables

Content: 20 units suitable for 10 tables



**ET0188**  
**Felt stopper with 2 pegs**

To be attached to the side of the crossbar to protect the table tops of assembled tables from

for all FlipTables

Content: 20 units suitable for 10 tables



**ET0676**  
**Folding mechanism safety piece**

for FlipTable-TF: 21060, 21061, 21062, 21063, 21064, 21065, 21066, 21067, 21068,  
21069, 21070, 21071, 21073, 21074

for FlipTable-RU: 21028, 21029, 21030, 21031, 21032, 21033, 21034, 21035, 21036  
21037, 21038, 21039

for Uno-M-Step (FlipTable-HV): A2509, A2510

for FlipTable-RU: 22102, 22103, 22105, 22106, 22107, 22108, 22109, 22110, 22111  
22112, 22113, 22114, 22115, 22116, 22117, 22118, 22119

for FlipTable-TR: 22125, 22126, 22127, 22128, 22129, 22130, 22131, 22132, 22133  
22134, 22135, 22136, 22137, 22138, 22139

for FlipTable-TQ: 22142, 22143, 22145, 22146, 22147, 22148, 22149, 22150, 22151  
22152, 22153, 22154, 22155, 22156, 22157, 22158, 22159, 22162  
22163, 22165, 22166, 22167, 22168, 22169, 22170, 22171, 22172  
22173, 22174, 22175, 22176, 22177, 22178, 22179

für Shift+ Base (FlipTable): 01451

Content: 10 units suitable for 5 tables, with fixing material



**ET0039**  
**Slip guard**

for Uno-M-Step (FlipTable-HV): A2509, A2510

Content: 10 units



**ET0688**  
**Height adjustment set**

for Uno-M-Step (FlipTable-HV): A2509, A2510

Content: 5 sets suitable for 5 tables (20x threaded bolts and 40x sleeve nuts)

