

[http://links.vs-service.com/downloads/70-353\\_V03\\_DEEN\\_Nachruerst-Stuhlaufhaengung.pdf](http://links.vs-service.com/downloads/70-353_V03_DEEN_Nachruerst-Stuhlaufhaengung.pdf)

## Assembly instructions

### PantoMove chair suspension retrofit kit.

Model ET0539, coding with or without 3D tilt mechanism

**Intended use:** This chair suspension retrofit kit is intended for use only with PantoMove chairs with model numbers 31501-98. Please also observe the instructions for the individual chairs.

**General comments:** Before using the product, read these instructions carefully and pay special attention to the safety instructions. Keep these Instructions for future consultation and pass them on to other users.

**General note on safety:** The following symbols and notes are used in these Instructions:

#### **Important!**

This symbol indicates an important note.

#### **Caution!**

This symbol indicates a very important note.

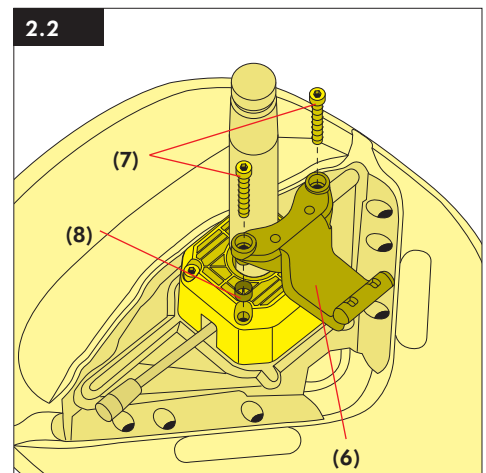
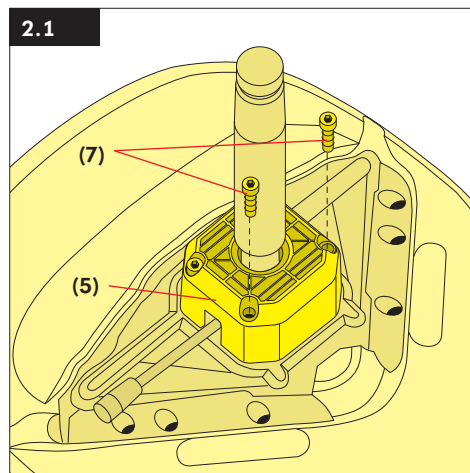
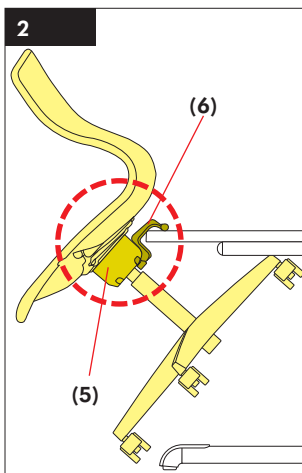
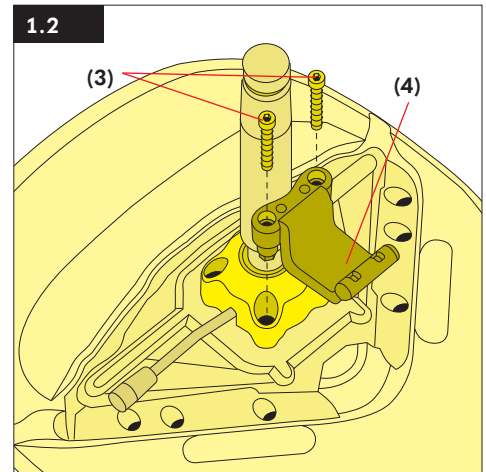
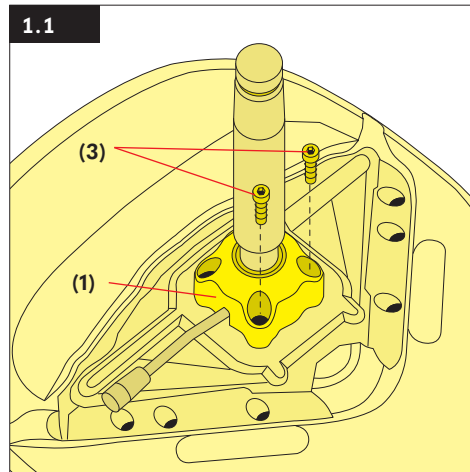
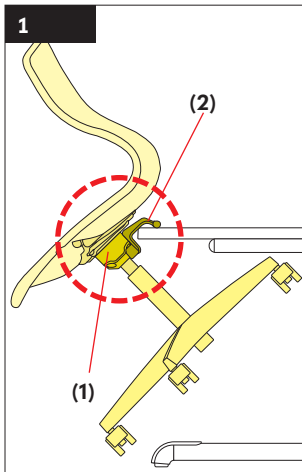
**On the Web:** These Instructions are also available online for download via the link indicated at the top of the page.

**Faults and service:** If any faults occur, please contact our Customer Service [kundenservice@vs-moebel.de](mailto:kundenservice@vs-moebel.de)

#### **Maintenance and cleaning**

On the Internet: [vs.de/kataloge/reinigung/en](http://vs.de/kataloge/reinigung/en)

**Transfer/disposal:** Please note that if the product is transferred to a new owner or user then it must be accompanied by these Instructions. To dispose of this product in an environmentally responsible way, please contact your local authority for information on possibilities for raw materials recycling.



**Retrofitting the chair suspension:** The PantoMove chair suspension (2) is fixed directly to the seat support (1). To do this, before assembly turn the chair in such a way that the underside of the seat support is freely accessible. Make sure that you are in a safe working position.

**Important!** Make sure that the retrofit kit is complete before starting assembly work.

## Fixing the chair suspension to the PantoMove without 3D tilt mechanism

(Figure 1)

**Contents of the retrofit kit:**

- Chair suspension, part no. 48-551
- 2 fixing screws M8x60 mm, part no. 56-648

(Figure 1.1) Release the two fixing screws (3) at the back of the seat support (1).

(Figure 1.2) Insert the pins on the chair suspension (4) into the screw holes in the seat carrier (1). Use the long fixing screws in the retrofit kit (3) to screw the chair suspension securely to the seat carrier.

**Important!** To fix the chair suspension, only use the long screws from the retrofit kit.

**Caution!** Tighten the screws to a max. torque of 12 Nm.

## Fixing the chair suspension to the PantoMove with 3D tilt mechanism

(Figure 2)

**Contents of the retrofit kit:**

- Chair suspension, part no. 48-552
- 2 fixing screws M8x60 mm, part no. 56-648
- 2 spacer sleeves  $\varnothing 14 \times 9$  mm, part no. 78-604;  
 From delivery date 01/2018 no longer necessary.

(Figure 2.1) Release the two fixing screws (7) at the back of the seat support (5).

**Caution!** Only release 2 screws, the 3D tilt mechanism is pretensioned.

(Figure 2.2) Insert the spacer sleeves (8) (From delivery date 01/2018 no longer necessary!) into the screw holes in the seat carrier (5). Then place on the chair suspension (6) with its pins here. Insert the long fixing screws from the retrofit kit (7) into the chair suspension (6) and screw them securely to the seat carrier (5).

**Important!** To fix the chair suspension, only use the long screws and spacer sleeves from the retrofit kit.

**Caution!** Tighten the screws to a max. torque of 12 Nm.